

エキサイティング サッカー

# EXCITING SOCCER T.M.

INSTRUCTION MANUAL

EXCITING.COM

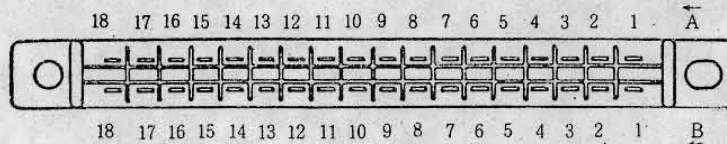


## 1. OPERATIONS

- 8 Direction Control Lever    To move players.
- Red Button                            PASS
- Blue Button                           SHOOT

## 2. CONNECTOR

( Parts Side )



( Soldering Side )

Parts Side		Soldering Side	
1 A	GND	1 B	GND
2 A	GND	2 B	GND
3 A		3 B	
4 A	SOUND OUT	4 B	
5 A	+12V	5 B	+12V
6 A	2 P DOWN	6 B	2 P UP
7 A	2 P RIGHT	7 B	2 P LEFT
8 A	1 P RIGHT	8 B	1 P LEFT
9 A	+5V	9 B	+5V
10 A	2 P SHOOT	10 B	1 P UP
11 A	2 P PASS	11 B	1 P PASS
12 A	2 P SELECT	12 B	1 P SHOOT
13 A	1 P SELECT	13 B	COIN 1
14 A		14 B	1 P DOWN
15 A		15 B	RED
16 A	BLUE	16 B	
17 A	GREEN	17 B	
18 A	SYNC	18 B	COIN 2

NOTE: 3B & 4B Terminals are GND. If the sound does not come out, connect with GND (1A,1B,2A,2B )

## 3. POWER SUPPLY CAPACITY

+ 5 V	± 5 %	4.0 A
+ 12 V	± 10 %	1.0 A

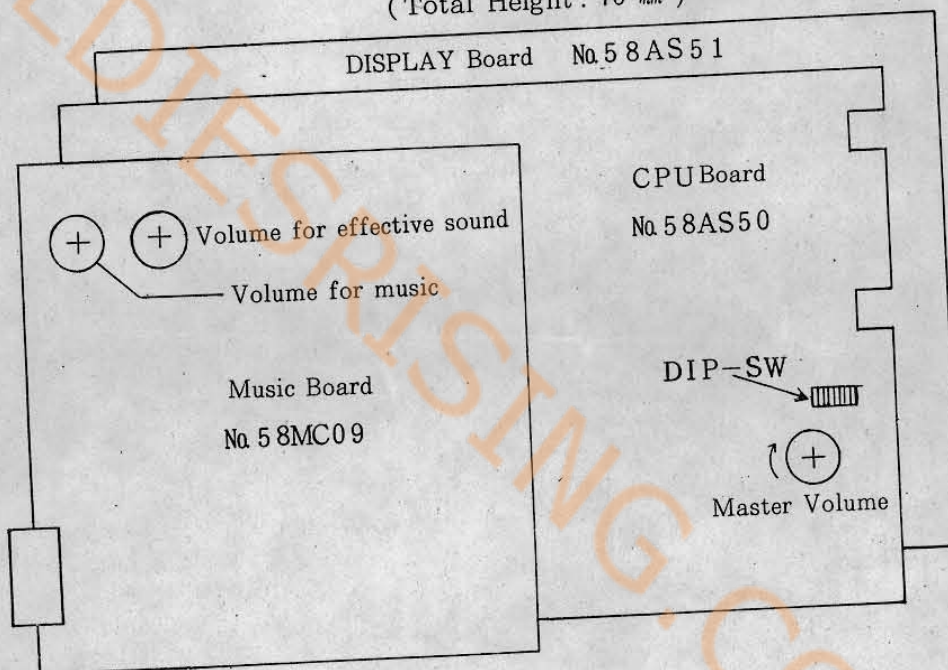


#### 4. MONITOR

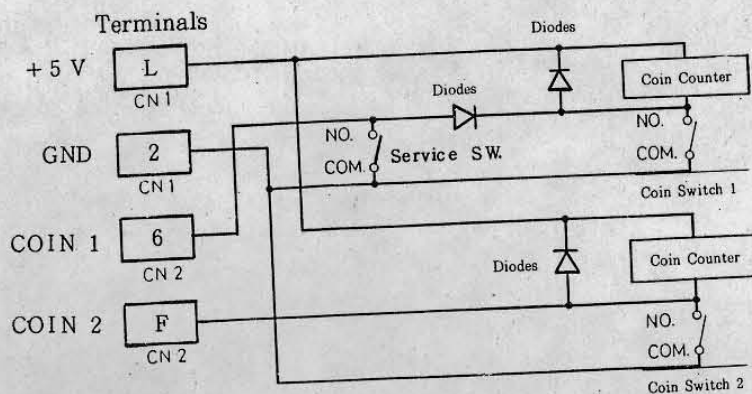
- (1) Color Signal      R • G • B Separate  
                                   0 ~ + 5 V  
                                   Linear Amp. System
- (2) Synchronous Signal    Composite  
                                   0    0 ~ 1 V  
                                   1    + 3 V ~ + 5 V

#### 5. P. C. BOARD

1. CPU board            230 × 310 mm  
 2. DISPLAY board      230 × 310 mm  
 3. VOICE board        230 × 195 mm  
 (Total Height : 70 mm)



#### 6. CONNECTION EXAMPLE FOR COIN SWITCH





OPERATIONS



DIP SWITCH SETTINGS

		DIP SWITCH							
		1	2	3	4	5	6	7	8
COIN 1 SELECT	1 COIN 1 PLAY	OFF	OFF						
	2 1	ON	OFF						
	1 2	OFF	ON						
DEMO VOICE	1 3	ON	ON						
	Yes			ON					
	No			OFF					
Stand - UPLIGHT					ON				
Tisch - TABLE					OFF				
Game difficulty	Hard				ON				
	Easy				OFF				
	3 Minutes					OFF	OFF		
	4 Minutes						ON	OFF	
TIME	6 Minutes						OFF	ON	
	2 Minutes						ON	ON	
									OFF

 ALPHA DENSHI CO., LTD.



ALPHA DENSHI CO., LTD.